

Bystronic Inc.
2200 W. Central Road
Hoffman Estates, IL 60192
USA

847-214-0300
847-214-0299
www.bystronic.com

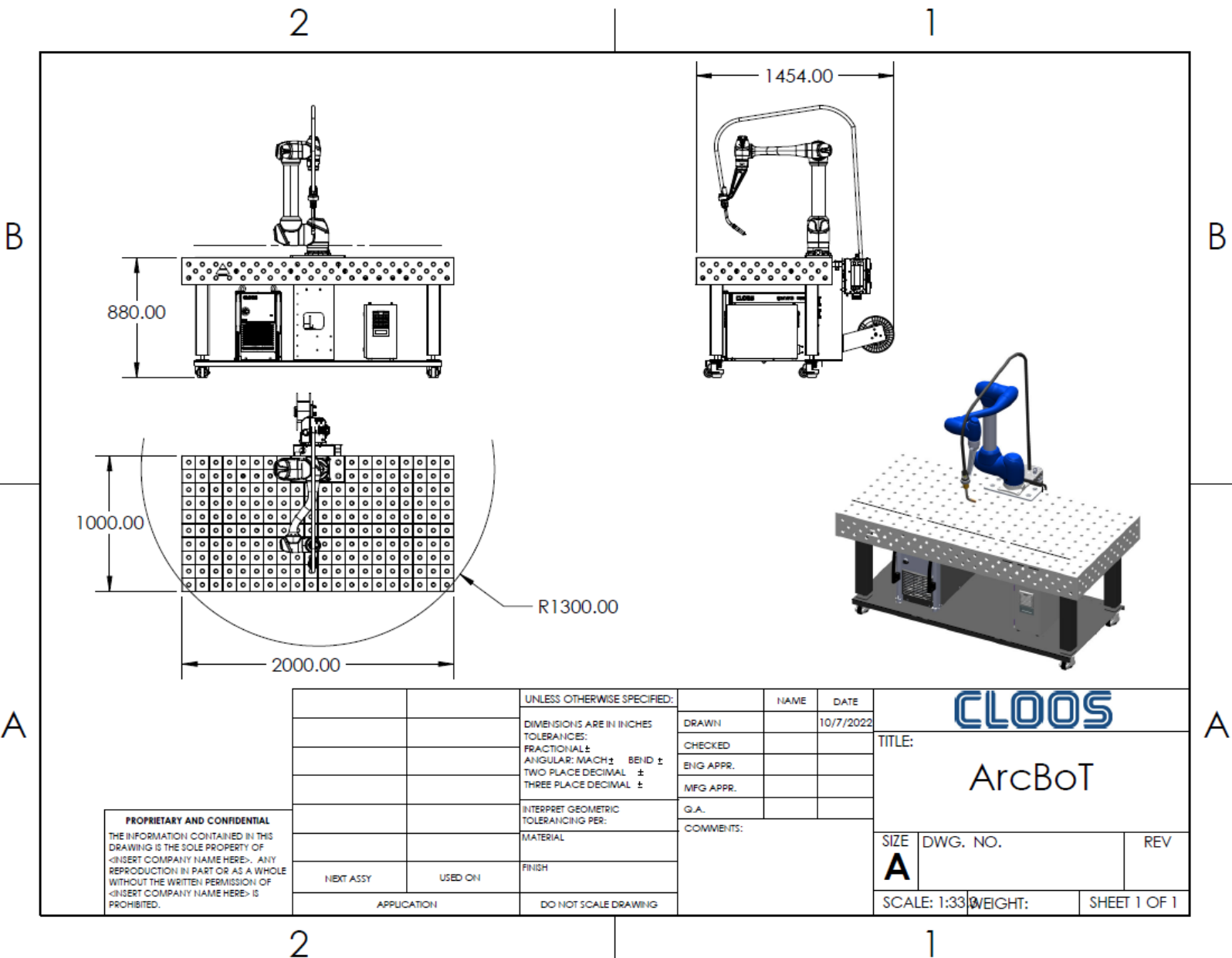


Best choice.

Technical Specifications

CLOOS ArcBot





PROPRIETARY AND CONFIDENTIAL
 THE INFORMATION CONTAINED IN THIS DRAWING IS THE SOLE PROPERTY OF <INSERT COMPANY NAME HERE>. ANY REPRODUCTION IN PART OR AS A WHOLE WITHOUT THE WRITTEN PERMISSION OF <INSERT COMPANY NAME HERE> IS PROHIBITED.

		UNLESS OTHERWISE SPECIFIED:	NAME	DATE
		DIMENSIONS ARE IN INCHES	DRAWN	10/7/2022
		TOLERANCES:	CHECKED	
		FRACTIONAL ±	ENG APPR.	
		ANGULAR: MACH ± BEND ±	MFG APPR.	
		TWO PLACE DECIMAL ±	G.A.	
		THREE PLACE DECIMAL ±	COMMENTS:	
		INTERPRET GEOMETRIC TOLERANCING PER:		
		MATERIAL		
NEXT ASSY	USED ON	FINISH		
APPLICATION		DO NOT SCALE DRAWING		

CLOOS		
TITLE: ArcBoT		
SIZE A	DWG. NO.	REV
SCALE: 1:33	WEIGHT:	SHEET 1 OF 1

Highest precision:

Torque sensors in all axes



Intuitive programming:

User-friendly touch control panel with macros specially developed for welding



Finger-forced stop:

Very precise power cut-off when touching the robot



Sensitive and safe control:

Foot switch for freedrive mode



CLOOS

Weld your way.



Summary of Robotic Welding System

1 Robot Technology

1 Doosan cobot

The Doosan M1013 cobot has 6 high-tech sensors to provide the highest dexterity for highly sophisticated tasks and ensure the utmost safety with the highest collision sensitivity.

Technical Specifications:

Load capacity:	10 kg (22 lbs)
Working radius:	1,300 mm (51 in)
Speed:	1 m/s
Weight:	33 kg (72 lbs)



1 Doosan cobot controller

The Doosan cobot controller contains all the needed abilities contained in a small, industrial ready package.

Technical Specifications:

Dimensions:	577 x 241 x 422 mm
Weight:	17 kg
Protection rating:	IP 54
Power:	100-240 VAC,50-60hz



1 Doosan cobot teach pendant

The touch screen teach pendant offers a high level of functionality in a simple to use interface.

Technical Specifications:

Weight/Screen Size:	0.8 kg/10.1inch
Protection rating:	IP 40, Also includes silicon bumpers and screen protector



1 Freedrive footpedal

Allows for cobot movement with no button.

2

Welding Technology

- 1 **QINEO StarT, 406**
PREMIUM welding package.
Our entry-level inverter power source for welding automation. With 5 of the CLOOS processes available, it offers all the performance needed for standard welding needs.

Technical Specifications:

Welding current: (100% Duty cycle)	350 Amp
Welding current: (60% Duty cycle)	400 Amp
Open Circuit Voltage:	78.7V at 3x400v
Mains Voltage:	480v/60 3phase
Dimensions: (L/W/H)	714 x 348 x 553 mm
Weight:	56 kg



- 1 **QNNX RPU, MasterPlus welding pendant**
The MasterPlus pendant allows easy adjustment and real-time monitoring of the welding parameters. Pendant includes a 5m cable



- 1 **QN WDA-20 ECO wire feeder**
The WDA-20 ECO feeder is a high-performance, 4-roll feeder. Its compact size is designed for integration into robotic and automated systems.

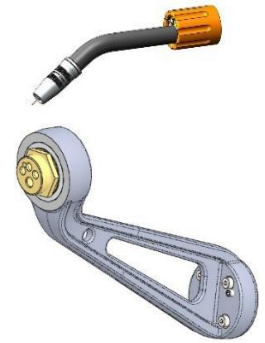
Technical Specifications:

Wire feed speed	Max 30m/min (1180 ipm)
Wire diameter	0.8-2.0mm
Dimensions	340/200/210mm
Weight	6.2 kg (13.7 lbs)



- 1 **QN WD R ECO option water cooling**
WDA-20 ECO wire feeder water cooling upgrade
- 1 **Cooling module QN NX EC 1200-1P cpl.**
Water cooling pump integrated with the power supply

- 1 **QN-MRW ROB cable assembly**
Gas-cooled robotic cable assembly
- 1 **MRW 510evo**
500 amp water-cooled torch neck, 35°
- 1 **ArcBoT MRW Torch bracket**
Torch bracket for the MRW, waeter-cooled torches
- 1 **Robot Dress Out Package**
The robot dress out includes a cable management to help kept the torch cable untangled



3 Welding Table

- 1 **Modular Welding Table**
The large welding table is supplied with your manufacturing needs in mind.

Technical Specifications:

Dimensions	1000 x 2000 mm
Side height	200 mm
Hole pattern	28 mm
Weight	460 kg (1014 lbs)
Table Thickness	15 mm
Load capacity	2800 kg (6173 lbs)



- 4 **Leg with Casters**
Legs come pre-installed.
- 1 **Machined Interface Plate**
Custom mounting plate designed to securely mount the ArcBoT to the welding table.

4 Services

- 1 **QUICK Start Package:**
One (1) CLOOS technician at customer facility for 2 days to assist with commissioning and training on the ArcBoT use and programming.

Option A	Fume Extraction Torch Upgrade	Additional
-----------------	--------------------------------------	-------------------

- | | |
|---|--|
| 1 | MRW-510-FEx 35°
Fume extracting torch neck |
| 1 | ClearO2 W150 Filtration unit
380-480V 50-60Hz 1.5 kW CSA |
| 1 | Additional black suction hose
and hose connector |
| 1 | Pressure reducing valve
5-15bar 1/4-NP7.2 |
| 1 | Sensing cable for auto
start/stop |

Option B	Start-up Kit	Additional
-----------------	---------------------	-------------------

- | | |
|----|---|
| 1 | Set of 4 wire feeder drive rolls |
| 1 | Replacement liner |
| 2 | Torch tip adapter |
| 2 | Torch gas distributor |
| 2 | Torch gas nozzle |
| 25 | Torch contact tip |
| 1 | Weld Plier |
| 1 | Storage case |
| | • Note – All above items will match torch
provided and requested wire size |

Option C

Hold-down Kit

Additional

- 4 **Clamp**
- 10 **Fast Assembly Bolt**
- 2 **150mm stop**
- 2 **225mm stop**
- 2 **Flat 90deg angle 275mmx150mm**
- 2 **Flat 90deg angle 320mmx150mm**
- 2 **Bracket 90deg 185mmx175mm**
- 2 **Eccentric stop 100mm dia.**

TOOLKIT ^{ECO} NO. 4

Number of jigs & fixtures included in the kit: 28

